




Tool holder trolley in standard version or made-to-measure




1 FRAME ON WHEELS
 • 630x960 Height 1540mm
 ref. TROL


2 PERFORATED PANEL
 • Dimensions 900x450mm
 • 12x24 wholes for hanging of elements
 • for PTVIS / CROC / ETAG
 ref. PERF




6 TOOL HOLDER HOOK
 • Length 75mm Ø6mm
 • If necessary, a screw can lock it
 ref. CROC



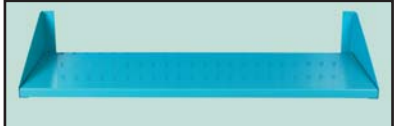
3 TRAYS PANEL
 • Dimensions 900x450mm
 • 9 lines of trays hanging
 • Useful length: 800mm (e.g. 5 trays BAB-4)
 ref. JAL



5 SCREWDRIVER HOLDER
 • 12 wholes are necessary
 • Total length: 370mm
 ref. PTVIS



4 SHELF
 • Dimensions 900x 300mm.
 • Mac load : 15kg
 ref. ETAG



This tool holder trolley is comprised of a frame on wheels ① with two opposite perforated and removable panel for the instant hanging of the different items. There are two types of panels:

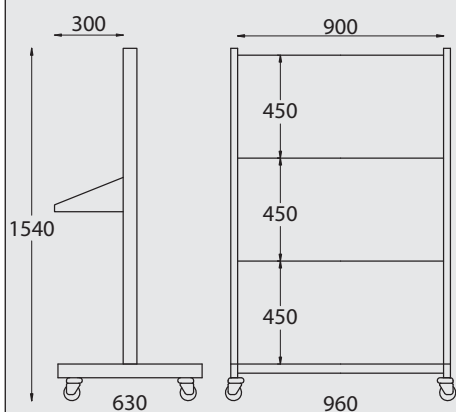
- Perforated tool holder panel ② / tray holder panel ③
- The tool holder hooks ⑥ are set in the perforated panels
- The screwdriver holder ⑤ is set in the perforated panels
- The trays ⑦ are set in the tray holder panel
- The shelf ④ can be placed either in the perforated tool holder panel or the tray holder panel
- The frame on wheels ① can received 3 panels ②③ of 450mm height on each side

COMPLETE RANGE STORAGE

7 TRAYS

Ref.	Overall width mm	Inside dimensions in mm		
		width	length	depth
BAB-1	100	90	70	45
BAB-2	125	105	115	70
BAB-3	125	105	175	95
BAB-4	150	130	195	120
BAB-5	200	175	265	140

CHOOSE AMONG 5 STANDARD CONFIGURATIONS OR MAKE YOUR OWN MODEL ACCORDING YOUR NEEDS



Ref	CHAR-6	Ref	CHAR-4	Ref	CHAR-2	Ref	CHAR-1	Ref	CHAR-0
TROL	1	TROL	1	TROL	1	TROL	1	TROL	1
PERF	6	PERF	4	PERF	2	PERF	1	PERF	0
JAL	0	JAL	2	JAL	4	JAL	5	JAL	6
ETAG	0	ETAG	1	ETAG	2	ETAG	1	ETAG	2
PTVIS	2	PTVIS	2	PTVIS	2	PTVIS	1	PTVIS	0
CROC	120	CROC	80	CROC	40	CROC	20	CROC	0
BAB-1	0	BAB-1	0	BAB-1	0	BAB-1	8	BAB-1	16
BAB-2	0	BAB-2	0	BAB-2	0	BAB-2	4	BAB-2	16
BAB-3	0	BAB-3	0	BAB-3	12	BAB-3	12	BAB-3	12
BAB-4	0	BAB-4	10	BAB-4	10	BAB-4	15	BAB-4	10
BAB-5	0	BAB-5	8	BAB-5	8	BAB-5	8	BAB-5	8